

ZISA DPU 3016 OD/3016 WM

16 Ports G.fast DPU



Indoor Type 3016 WM



Outdoor Type 3016 OD

Overview

The emergence of OTT videos and 4K TV is accelerating ultra-broadband network deployments. Fiber to the home (FTTH) is a good solution to offer ultra-broadband service, but is costly and difficult to deploy services due to complicated construction works. G.fast, which reuses existing copper resources to reach speeds comparable to FTTH (1,000 Mbit/s), is well-suited to brownfield areas. Featuring faster access, faster deployment, and faster return on investment, G.fast is attracting increasing industry attention.

ZISA DPU 3016 wall mount series has a series of 16-port G.fast DPU wall mount models:

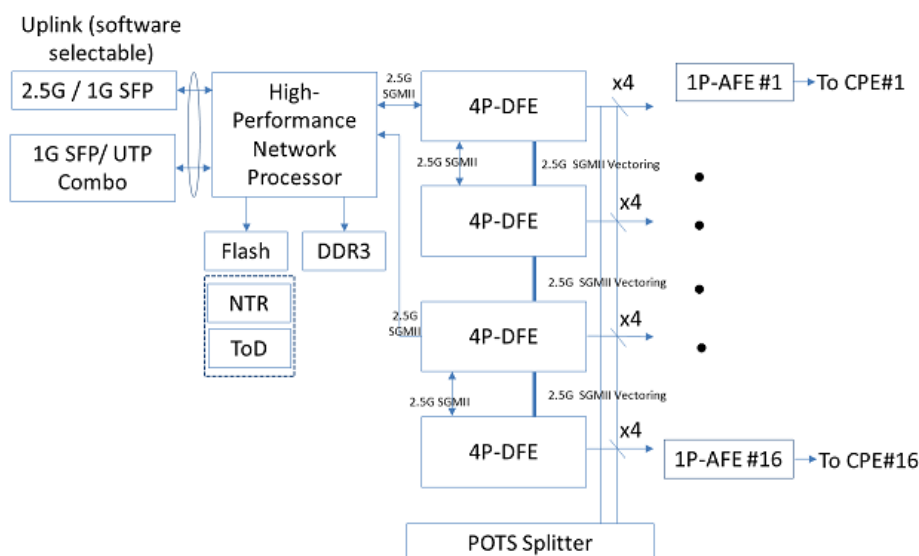
DPU 3016 WM, which is indoor type

DPU 3016 OD, which is outdoor type

DPU 3016 wall mount series accepts AC90~264V local power.

The service sets for DPU 3016 Wall mount Series are IPTV, HSIA, and cVoIP. Together with advanced Ethernet OAM, it also targets for business services for copper wired Multi-tenant Units.

As following block diagram, DPU 3016 wall mount series supports software selectable (1) 2.5G / 1G SFP interface, (2) 1G SFP / UTP combo interface as its uplink interface.



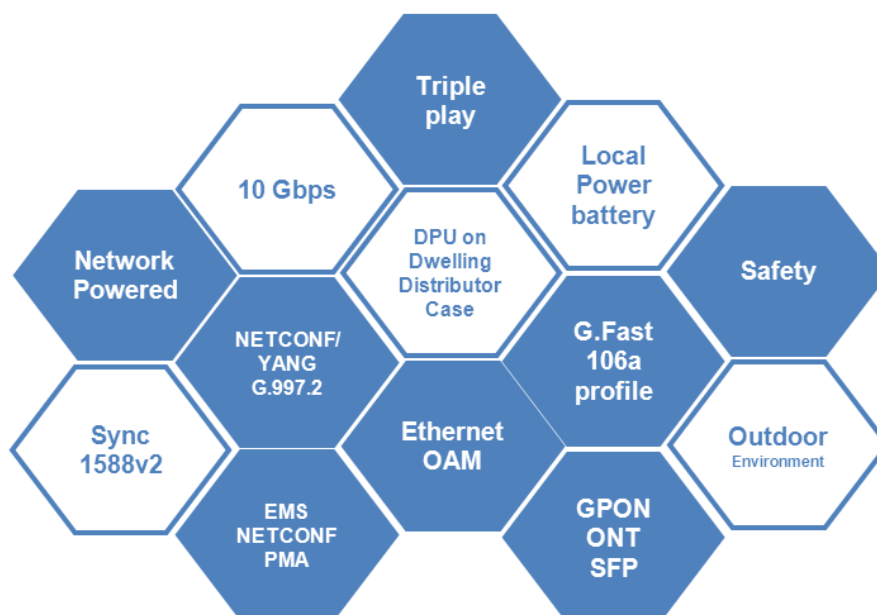
Features

DPU 3016 wall mount series G.fast link supports

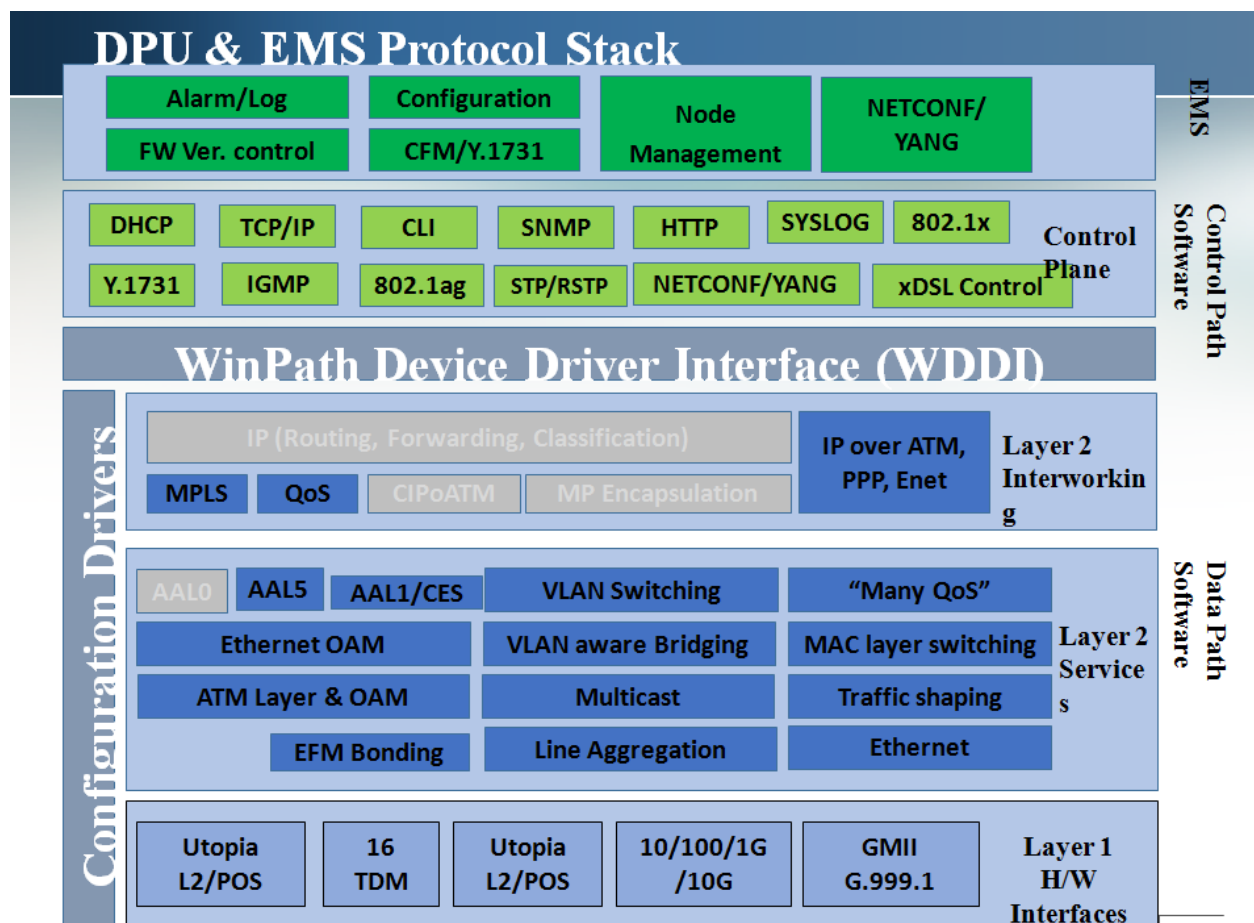
- Profile 106a, spectrum up to 106 MHz bandwidth at 4 dBm transmit power
- 16-port vectoring (crosstalk cancellation) with linear precoding now, and will support nonlinear precoding in the future when standards are clearly defined
- Programmable Time-Division Duplexing, to accommodate different asymmetry ratios of downstream/upstream (80/20 and 50/50)
- Full start up sequence takes less than 20 sec, and the fast retrain time, including 16-port vectoring, is under 2 sec.
- Tolerant of inside wire impairments and changing noise conditions
- Fast On-Line Reconfiguration (FRA) to cope with Channel/DPU 3016 series management structure
- Follows BBF G.fast recommendations and TR-167, the DPU and G.fast SFP modem are treated as a GPON fed remote DSLAM
- Currently supports CLI/WEB/SNMP management, and will add the Netconf protocol and Yang data modeling for G.997.2.
- The GPON feed/GPON SFP ONT are managed by OMCI messages from the OLT.

DPU 3016 wall mount series supports Ethernet OAM to provide SLAs for business users. Ethernet Service Assurance features, based on MEF, IETF, ITU, and IEEE standards enable service providers to offer businesses an assured MEF service with tools to ensure conformance to a service level agreement (SLA).

Finally, ZISA EMS can acts as NETCONF PMA to remotely manage and monitor the DPU 3016 Wall mount Series DPU. It can help the ISP to offer the best quality service to their customers.



As following figure, please see the protocol stack supported by the EMS & DPU



Specifications

System Features	Protocols Support	
<ul style="list-style-type: none"> ● G.fast Ports <ul style="list-style-type: none"> ✓ 16-port G.FAST subscriber interface Comply with ITU-T G.9700/9701,106a Profiles ✓ Total rate up to 800 Mbps, aggregate the downstream and upstream rate ✓ Support resynchronization ✓ Support RFI configuration ✓ Support G.FAST profile setup ✓ 16-port vectoring(crosstalk cancellation) with linear precoding 	<ul style="list-style-type: none"> ● IGMPv1, v2, v3 snooping and proxy ● DHCP L2 Relay – TR101 Appendix B ● IEEE 802.1x ● STP(802.1D) / RSTP (802.1W) ● SNTP Client ● SysLog Client 	
	Uplink ports	
		Switch selectable <ul style="list-style-type: none"> ● 2.5G SFP interface ● 1G SFP interface
	Management	

- ✓ Programmable Time-Division Duplexing, to accommodate different asymmetry ratios of downstream/upstream (Downstream MDS 15~29)
- ✓ Full start up sequence takes less than 20sec, and the fast retrain time, including 16 ports vectoring, is under 2sec.
- ✓ Tolerant of inside wire impairments and changing noise conditions
- ✓ Support Fast On-Line Reconfiguration (FRA) to cope with Channel
- Bridging Port
 - ✓ Tagged/Untagged/TLS port
 - ✓ VLAN Ingress Filter check
 - ✓ Port-based VLAN
 - ✓ Protocol-based VLAN
 - ✓ Priority VLAN
 - ✓ S-tag/C-tag Priority Mapping
 - ✓ VLAN Translation
- VLAN
 - ✓ Single or Double tag support
 - ✓ N:1 /1:1 VLAN
- Forwarding Data Base
 - ✓ 4K entries of MAC address
 - ✓ Dynamic/Static FDB
 - ✓ MAC learning limitation per port

- Local RS-232 CLI and Ethernet Web/SNMP/TELNET management
- Remote in-band Web/SNMP/TELNET management
- NETCONF/YANG G.997.2 Data Model
- Firmware upgradeable
- Support SNMP v1, v2.
- Alarm Relay for 4 input

Operating Requirements

- Operating Temperature: 0° to 65 °C
- Storage Temperature: -40c° to 80 °C
- Operating Humidity: 5% to 95% RH non-condensing

Dimension and Weight

- Indoor type:
Dimension (LxWxH): 451mmx268mmx131mm
Weight:7.2KG(TBD)
- Outdoor type:
Dimension (LxWxH): 426mmx285mmx180mm
Weight:13.0KG(TBD)

Selective Power Source

- From DSL loop 36V~57V, (Reverse power)
- AC power mode: 90VAC ~ 264 VAC, 50-60 Hz,
DC power mode: -42VDC ~ -56VDC.
- Power Consumption: all 16-ports up needs 75
Watts(25°C)
- Power saving mode

Certifications

- | | |
|--|--|
| <ul style="list-style-type: none"> ● Multicast <ul style="list-style-type: none"> ✓ IGMP v1, v2, V3 ✓ IGMP proxy ✓ Multicast VLAN mapping <ul style="list-style-type: none"> ◆ Independent VLAN multicast (IVM). ● QoS: <ul style="list-style-type: none"> ✓ Policer: <ul style="list-style-type: none"> - Broadcast and Unknown unicast flooding rate limit - VLAN+802.1p Priority rate limit ✓ Scheduler: <ul style="list-style-type: none"> -SP -Strict priority -WFQ –Weighted Fair Queue -WRR –Weighted Round Robin. - Shaping: CIR, CIR/EIR ● Access Control List <p>According to packet field</p> <ul style="list-style-type: none"> *Source or destination MAC addresses *Source or destination IP addresses *VLAN ID *Ethernet type *Protocol number *TCP/UDP port <p>To do: Deny, Allow, VLAN Priority, DSCP to 802.1p mapping, Policer to do rate limitation</p> | <ul style="list-style-type: none"> ● EMC <ul style="list-style-type: none"> FCC Part 15 Class A CE-EMC Class A ● Safety <ul style="list-style-type: none"> EN60950-1 ITU-T K.21 Surge and Lightning protection |
|--|--|

ZISA Corporation Limited

Tel: +86-10-52885062 Fax:+86-10-82156720

Mail to : sales@zisacom.com.cn

URL: <http://www.zisacom.com>

Specifications are subject to change without notice.

Copyright © ZISA Corp. All rights reserved.

